

Instruction for Use

Trade Name: Adapter for Carbon Fiber Extension

Warning

When using operating table accessories, always pay close attention to the patient. Patients left in the same posture for an extended period of time are at risk for developing nerve paralysis and/or bedsores.

Contraindication/Prohibition

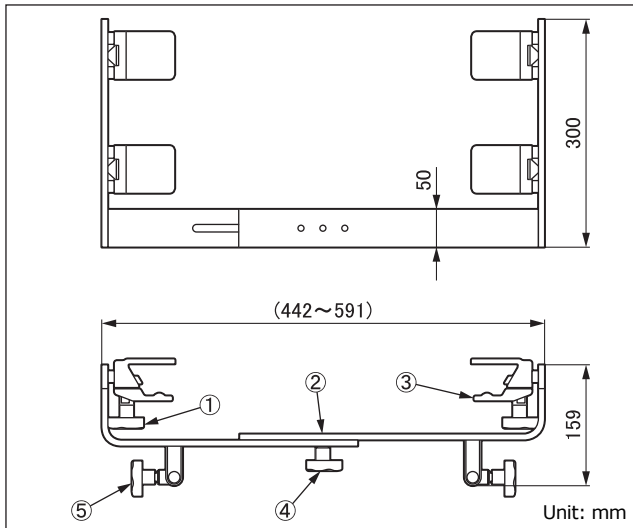
1. Use only on the models listed in **Instructions for use**, 2. Applicable operating tables, etc.
2. When using this product with "Carbon Fiber Extension", do not place the patient who weighs more than 135kg on. Otherwise the operating table could fall down.

Symbol mark for labeling

MD : Medical Device

Specifications

1. Shape



| Code No. | Product Description |
|-----------|------------------------------------|
| 08-075-15 | Adapter for Carbon fiber extension |

2. Weight

6.8 kg

3. Material

- ① Fixing handle: Synthetic resin
- ② Frame: Cold rolled stainless steel plate
- ③ Clamp: Aluminum alloy casting
- ④ Adjuster handle: Synthetic resin
- ⑤ Accessory fixing handle: Synthetic resin

Note: The number corresponds to those used in 1. Shape.

4. Maximum extension

149 mm

Intended purpose

This is an accessory to an operating table. It is mounted on the operating table or "Carbon Fiber Extension" as an adapter to connect other operating table accessories which support the patient's head.

Intended user

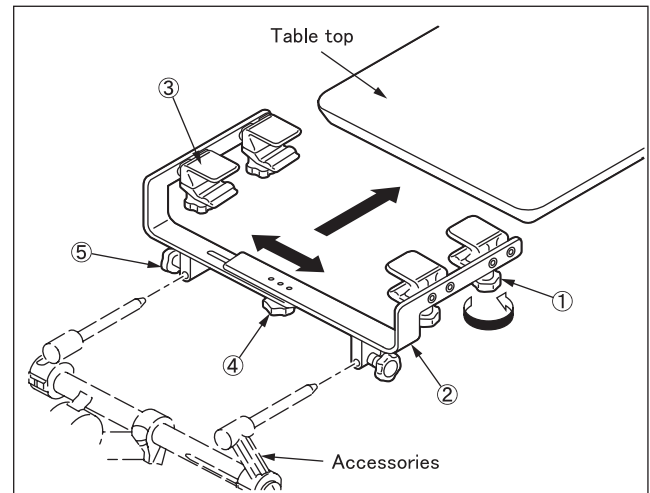
This product is to be used by health care professionals, including but not limited to surgeons, nurses and biomedical technicians.

Instructions for use

1. Instructions for use

- 1-1 Set the table top of the operating table or "Carbon Fiber Extension" in the horizontal position.
- 1-2 Align the frame ② to the width of the table top or "Carbon Fiber Extension" by operating the adjuster handle ④.
- 1-3 Insert the clamp ③ in the table top or "Carbon Fiber Extension".
- 1-4 Tighten the fixing handle ①.
- 1-5 Attach the accessory to support the patient's head, and tighten the accessories fixing handle ⑤.

Note : For details of accessory, etc. attached to this product, refer to the instruction manual for each accessory.



2. Applicable operating tables, etc.

Operating tables: Refer to the brochure "OPERATING TABLE ACCESSORIES" of Mizuho.

Other products: 08-070-25 Carbon Fiber Extension (Note 1 and Note 2)

Note 1: 08-070-35 122cm Carbon Fiber Extension is not applicable.

Note 2: The operating tables that can be used when attaching this product to "Carbon Fiber Extension" are as follows;

- MOT-5801S
- MOT-5701
- MOT-3502
- 3502 EZ Slide
- MOT-3502X

Warning/ Caution

1. Warning

Ensure all fixing handles are tight. Loose condition can cause the product to come off or move, which may result in a patient injury.

2. Important fundamental cautions

2-1. When working with an operating table, take care not to allow this product to make contact or interfere with the table top or with other tools and appliances used in combination with this product. Otherwise the product could break.

2-2. For hygiene, be sure to use sterilized drapes on the areas on this product where the patient comes into contact with it.

3. Precautions when using with other items

- ① When using this product with "Carbon Fiber Extension", slide the table top of the operating table to the leg side maximum position prior to placing the patient on "Carbon Fiber Extension".
- ② When using this product with "Carbon Fiber Extension", the operating table should be used in the range shown in the following table. Otherwise the operating table could fall down.

| Applicable operating table (Note 3) | Slide range (Patient weight limit: 135 kg) | | |
|-------------------------------------|--|--------------------|--------------------|
| | a: ← Head direction | b: Middle position | c: → Leg direction |
| MOT-5801S | ▲Not usable | Usable | Usable |
| MOT-3502 | ▲Not usable | Usable | Usable |
| 3502 EZ Slide | ▲Not usable | Usable | Usable |
| MOT-3502X | ▲Not usable | Usable | Usable |
| MOT-5701 | Usable | Usable | Usable |

Note 3: Applicable operating table when using this product with "Carbon Fiber Extension".

a: State that the table top is slid to the head direction from the middle position

b: Middle position

c: State that the table top is slid to the leg direction from the middle position

Storage/Life

1. Do not store the device in high temperatures or in areas with high humidity where the temperature has drastic variations.
2. Service life of this product: 7 years
(Subject to the specified maintenance and inspection and is stored properly.)

Maintenance/Inspection

<By the user>

1. Inspection before and after use
Check that this product is not damaged or broken before and after each use.
2. Cleaning and disinfection
Wipe off blood, chemicals, contaminants, and other stains with water, and clean the device with gauze or other material moistened with alcohol to disinfect.
3. In case of a malfunction
When this product is broken, clearly label the device as "Broken", "Do not use", "Need repair", etc., and contact your local dealer or Mizuho.

<By agents>

Maintenance and inspection can only be carried out by certified agents of Mizuho.

Packing

1 piece per pack

Warranty

MIZUHO Corporation will repair defective parts of this product without charge for one year from the date of delivery/installment except for cases of damage caused by a third party's repair, act of nature, improper use or intentional damage. All other warranty terms and conditions are subject to regulations of MIZUHO Corporation.

Disposal

This device must be disposed of in accordance with local regulations. Please contact your local distributor for proper disposal.

Notice

Any serious incident that has occurred in relation to the device should be reported to the manufacturer and the competent authority in which the user and/or patient is established.

Manufacturer



MIZUHO Corporation
3-30-13 Hongo, Bunkyo-ku, Tokyo 113-0033, Japan
<http://www.mizuho.co.jp>

European authorized representative



Emergo Europe B.V.
Prinsessegracht 20, 2514 AP, The Hague
The Netherlands